

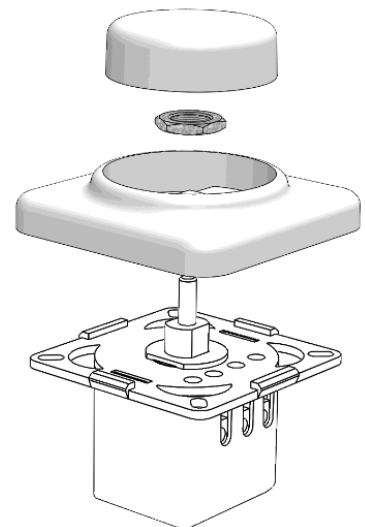
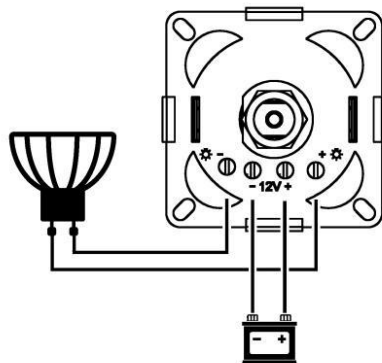
Data sheet

Furniture built-in Dimmer Type 8152

- Pressure two-way switch
- Covers from Berker and other manufacturers fit on this dimmer
- **Pulse width modulation**
- Microprocessor controlled
- No stand-by consumption



Suitable for:	dimnable 12 V LED lamps, 12 V incandescent and halogen lamps, LED modules and stripes with limiting resistors
Rated voltage:	10 – 15 V ~ (+/- 10 %), 50 Hz,
Rated power:	3 - 50 W
Dimensions:	LWH 54 x 54 x 33 mm
Shaft:	∅ 4 mm Metal with soft louvre
Press operation:	on – off
Rotate operation:	dimming
Temperature protection:	Thermal fuse (device won't continue to operate after release)
Overload-/short circuit protection:	electronic
Connection:	Screw terminals up to 2 x 2.5 mm ² (rigid)
Safety class:	IP 20



<i>inter BÄR-No.</i>	<i>Version</i>
8152-000...	Dimmer without button + frame
8152-004...	Dimmer with button + frame black
8152-008...	Dimmer with button + frame white

Technical modifications reserved!!!
Works at 230V-mains must only be carried out by a specialist!!!