

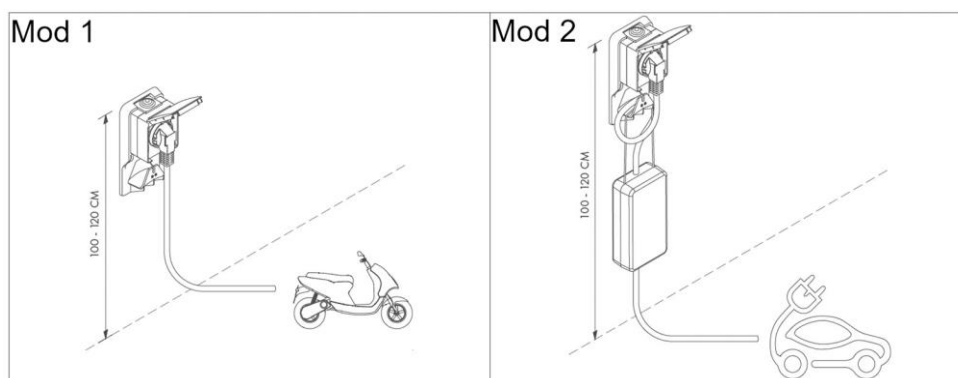
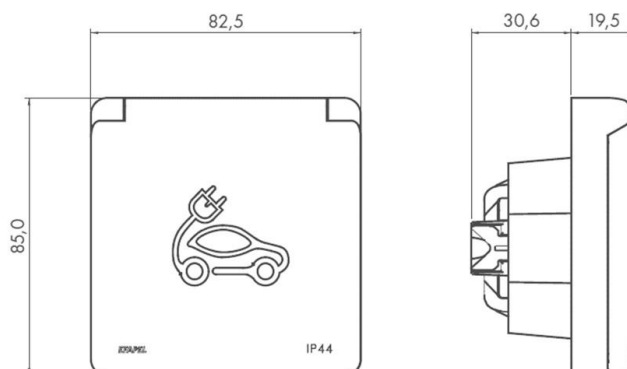
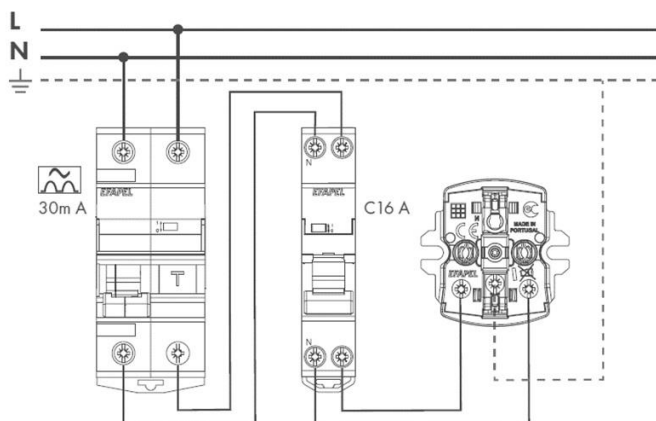
Datesheet

Article Description

Car charging socket for electric and plug-in hybrid vehicles Type 9014

- safe charging with Mod 1 or Mod 2
- tested charging cycles 8 h 230 V~ 16 A
- improved contacts
- with extended touch protection
- 16 A, 250 V ~
- IP44
- impact resistance IK08
- screw terminals
- housing light grey RAL 7035

Article Picture



It is recommended to have the installation of a 3 x 2.5 mm² additionally fused cable carried out and checked by a qualified electrician.

inter BÄR-No.	Version
9014-002.01	Flush-mounted

Technical modifications reserved!