

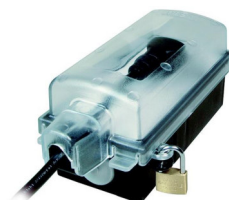
Data sheet

Article Description

**Lockable Outdoor Socket Type 9015,
for angular plugs,**
which can be closed when connected

- 230 V, 16 A,
- **IP44 with vertical wall mounting**
- socket with extended touch protection
- **only for wall mounting,**
- transparent lid of polycarbonate with a circumferential foamed sealing for protection against splash water and rain

Article Picture



Includes a hanger for a padlock which protects against theft of power!

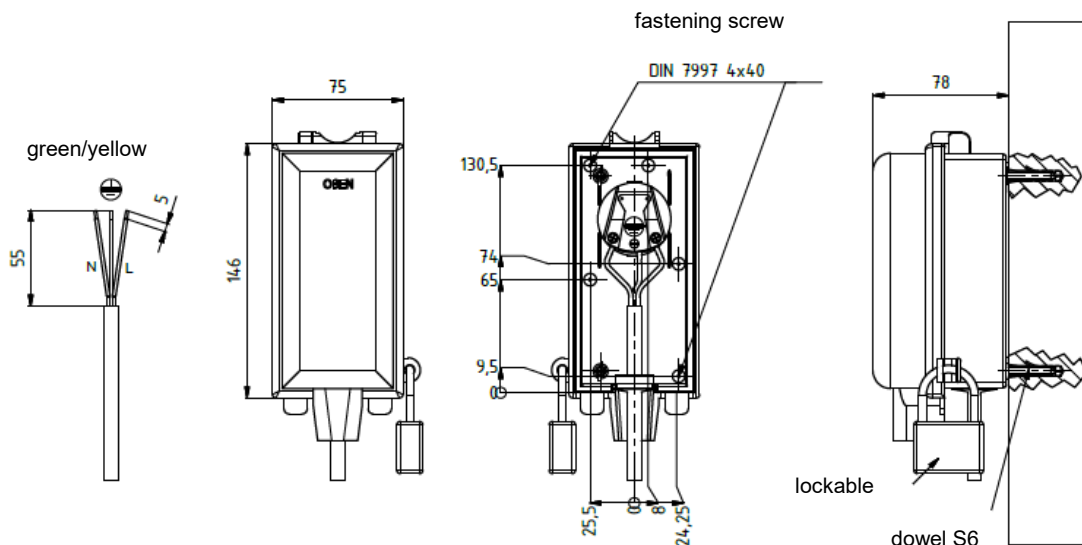
The ideal power supply solution for Gardens, Laundries, Cellars, Basements, Garages, Carports etc.

Suitable for Christmas illuminations, Fairy lights, Lawn mowers, Electric outdoor devices, i.e. electric Grill's



Important information:

- **Do not close the cover when not mounted, otherwise it will be very difficult to open it again**
- **Use cable according to the application and VDE regulations, max. cable cross-section 1.5 mm² up to 2.5 mm²**



inter BÄR-No.

9015-002...

supplied without padlock + lead cables

Technical modifications reserved!
Works at the 230 V-mains must be carried out only by a specialist!