

## Data sheet

### Article Description

**Lockable Outdoor Socket Type 9015,**  
for straight earthing contact plugs,  
which can be closed when connected

- 230 V, 16 A
- **IP44 with vertical wall mounting**
- socket with extended touch protection
- **only for wall mounting**
- transparent lid of polycarbonate with a circumferential foamed sealing for protection against splash water and rain

### Article Picture



**Includes a hanger for a padlock which protects against theft of power!**

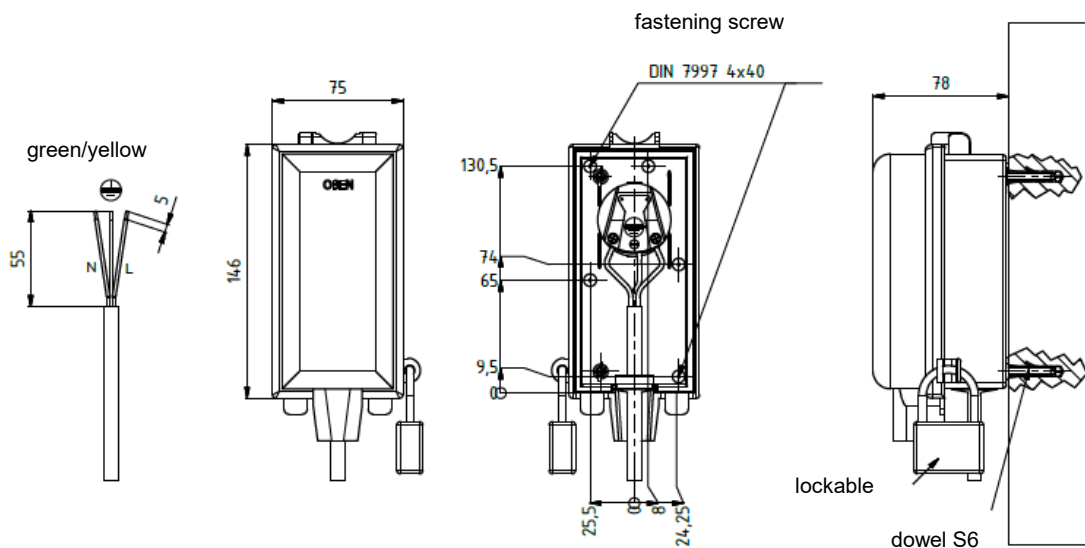
The ideal power supply solution for Gardens, Cellars, Garages, Carports etc.

Suitable for Christmas illuminations, Fairy lights, Lawn mowers,  
Electric outdoor devices, i.e. electric Grill's



### **Important information:**

- **Do not close the cover when not mounted, otherwise it will be very difficult to open it again**
- **Use cable according to the application and VDE regulations, max. cable cross-section 1.5 mm<sup>2</sup> up to 2.5 mm<sup>2</sup>**



*inter BÄR-No.*

9015-001...

supplied without padlock + lead cables

**Technical modifications reserved!**  
**Works at the 230 V-mains must be carried out only by a specialist!**