

Data sheet

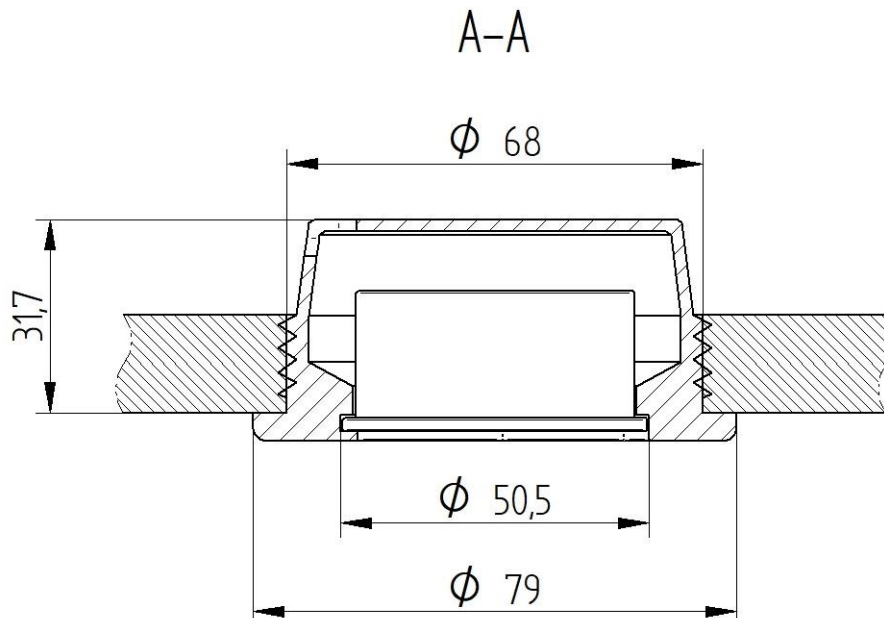
Article Description

Silicone Housing MAXI flat design for LED modules, Type 1000

- silicone housing absolutely rust-free
- easy and quick assembling and disassembling
- weather and sea climate resistant
- heat and cold resistant
- delivery without light source

Installation diameter: 68 mm
 Installation depth: 31.7 mm
 Overall dimension: 79 mm
 Maximum light source depth: 34 mm

Article Picture



<i>inter BÄR-No.</i>	<i>Colour</i>
1000-605	grey similar RAL 7016
1000-608	white

Technical modifications reserved!
 Works at 230 V-mains must only be carried out by a specialist!

inter BÄR GmbH + Co.KG, Hälverstraße 43, 58579 Schalksmühle, Germany,
 phone +49 2355 893-0, www.interbaer.de