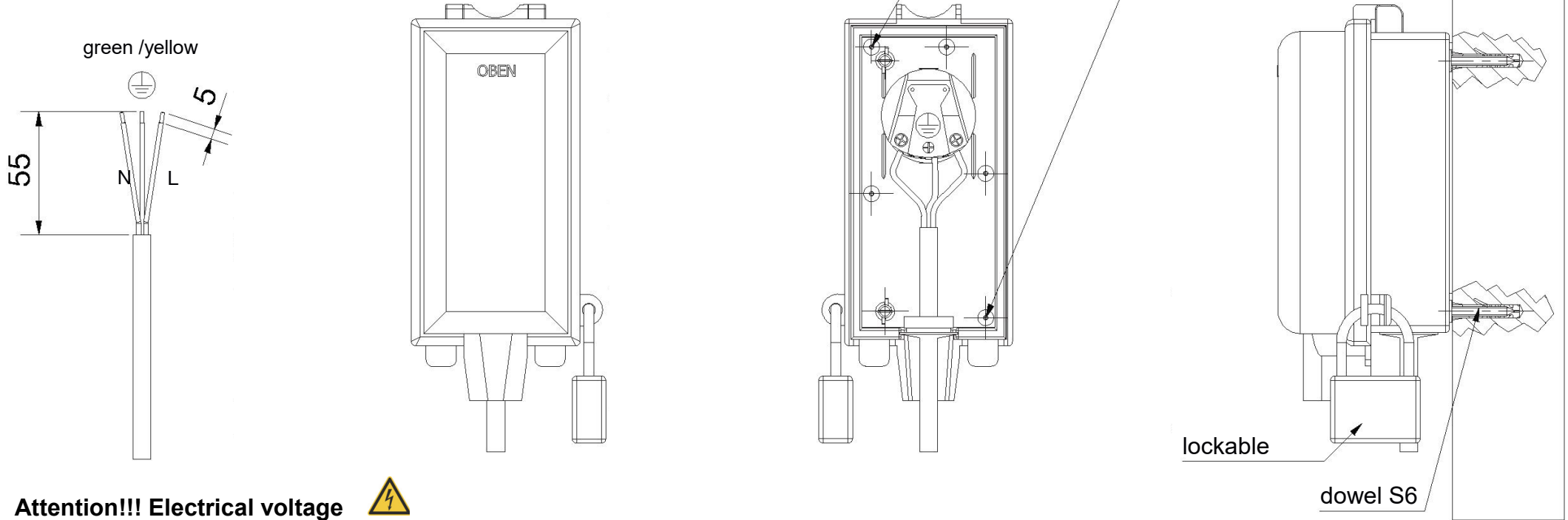


## Lockable Outdoor Socket Type 9015, only for wall mounting

Do not close the cover when not mounted, otherwise it will be very difficult to open it again

Use cable according to the application  
and VDE regulations



**Attention!!! Electrical voltage** ⚡

Installation only by persons with relevant electrical engineering knowledge and experience! Improper installation may endanger: - your own life - the lives of the users of the electrical system. With an improper installation you risk serious damage to property, e.g. through fire. You risk personal liability for personal injury and damage to property. Contact an electrician! The following specialist knowledge is required for the installation: the applicable "5 safety rules"; disconnecting; securing against reconnection; voltage isolation; earthing and short-circuiting; cover or barrier adjacent parts that are under voltage; \* selection of suitable tools, measuring devices and, if necessary, personal protective equipment; \* evaluation of the measurement results; \* selection of the electrical installation material to ensure the switch-off conditions; \* IP protection classes; \* installation of the electrical installation material; \* type of supply network (TN system, IT system, TT system) and the resulting connection conditions\* (classic zeroing, protective earthing, necessary additional measures, etc.).

Mounting material + padlock not included in delivery!

**Technical modifications reserved!!!!**



inter BÄR GmbH + Co. KG – Hälverstraße 43 – 58579 Schalksmühle [www.interbaer.de](http://www.interbaer.de) – phone +49 2355 893-0