

2025/26

Programme Overview

Switch solutions for industry and trade



Brand new to our range
The SUNSEEKER – Solar Tracker



- ✓ **Aligns itself fully automatically with the sun**
- ✓ **Patented world first for motorhomes, caravans, vehicles and boats**

You can also request special switches for industrial application from us, such as



Step Switches Type 5096 + 5097,
different designs, e.g. for heating devices



Rotary Switches Type 8180,
for ventilators and similar devices

Technical modifications reserved!
The connection to the 230 V mains supply must only be carried out by an electrical specialist

Push-Button Switch + Push-Button for Installation

Type 3030 Push-button Switch

2(1) A, 250 V~, on/off-switch, 1-pole, T 85° C, central fitting M 10 x 1 mm, screw terminals, **constant switch position**, screwed on bell-shaped nut



inter BÄR No.	Colour Button	Thread Length	Packing Unit
3030-201.03	white	7.5 mm	100 pcs.
3030-211.02	black	7.5 mm	100 pcs.
3030-276.02	white	11.5 mm	100 pcs.
3030-277.02	black	11.5 mm	100 pcs.

Type 3030 Push-button Switch

with special button, constant switch position,

2(1) A, 250 V~, on/off-switch, 1-pole, T 85° C central fitting M 10 x 1 mm, screw terminals, **decorative knob + nut optionally in titanium, white or black**



inter BÄR No.	Colour	Thread Length	Packing Unit
3030-611.01	Push-button Switch	7.5 mm	100 pcs.
0010-149.0120	Button titan		100 pcs.
0010-148.0120	Nut titan		100 pcs.
0010-149.0150	Button white		100 pcs.
0010-148.0150	Nut white		100 pcs.
0010-149.0167	Button black		100 pcs.
0010-148.0167	Nut black		100 pcs.

Type 8001 Push-button Switch

6 (2) A, 250 V, 1-pole, on/off-switch, T 85° C, central fitting M 10 x 1 mm, screw terminals, screwed on bell-shaped nut, **suitable for switching the secondary circuit of halogen lamps**



inter BÄR No.	Colour Button	Thread Length	Packing Unit
8001-007.01	white	8 mm	100 pcs.

Type 8001 Push-button

Push-button, 2 (0,7) A, 250 V, 1-pole, T 100° C, **normally open contact**, central fitting M 12 x 1 mm, screw terminals, screwed on bell-shaped nut, **with 2 thread reducing rings multiple use for 8 - 15 mm threads**



inter BÄR No.	Colour Button	Thread Length	Packing unit
8001-302.01	white	8 - 15 mm	100 pcs.

Type 3076 Push-button Switch

Serial switch, 2 A, 250 V, 1-pole, T 100° C, central fitting M 12 x 1 mm, socket contact M 2,6, screwed on bell-shaped nut, **connection 0/1/1+2/2/0**



inter BÄR No.	Colour Button	Thread Length	Packing unit
3076-001.01	white	8 mm	50 pcs.

Pull Cord Switch + Pull Cord Push-Button for Installation

Type 3716 Pull Cord Switch

4 (1) A, 250 V, 1-pole, T 125° C, on/off-switch, screw terminals,
twin-hole fitting, hole size Ø 3.4 mm
hole distance 20 mm



<i>inter BÄR No.</i>	<i>Version</i>	<i>Packing Unit</i>
3716-001.01	twin-hole fitting Ø 3.4 mm	50 pcs.

Type 3730 Pull Cord Switch

2 (1) A, 250 V, 1-pole, on/off-switch, T 125° C,
one-hole fitting, screw terminals



<i>inter BÄR No.</i>	<i>Version</i>	<i>Packing Unit</i>
3730-001.01	one-hole fitting, hole size Ø 3.2 mm	100 pcs.
3730-002.01	bracket, hole distance 22 - 25 mm	100 pcs.

Type 3746 Pull Cord Switch

2 A, 250 V, 1-pole, T 125° C, on/off-switch, screw terminals,
twin-hole fitting, hole distance 22 mm,
hole size Ø 3.4 mm,



<i>inter BÄR No.</i>	<i>Version</i>	<i>Packing Unit</i>
3746-001.01	pull cord guide front face	50 pcs.
3746-002.01	pull cord guide width side	50 pcs.
3746-003.01	front face with fastening plate	50 pcs.

Type 3776 Pull Cord **Serial Switch**

serial switch, 2 A, 250 V, 1-pole, T 85° C, **connection 0/1/1+2/2/0**,
twin-hole fitting, hole distance 22 mm, hole size Ø 3.15 mm



<i>inter BÄR No.</i>	<i>Version</i>	<i>Packing Unit</i>
3776-001.01	contact M 2,6	50 pcs.

Type 3717 Pull Cord **Push Button**

Push button 2 (1) A, 250 V, 1-pole, T 85°, normally open contact,
screwless terminal clamp for wire cross section 0.75 mm²,
skinning 6 mm, **industrial version**



<i>inter BÄR No.</i>	<i>Version</i>	<i>Packing Unit</i>
3717-001.00	normally open contact	100 pcs.
3717-012.00	opener	on request

Type 0064 Pull Cord

Pull Cord, 25 cm, white, cone-shaped handle,
for Pull Cord Switch -Types 3716, 3717, 3730,3746, 3776,



<i>inter BÄR No.</i>	<i>Colour</i>	<i>Packing Unit</i>
0064-394.0150	white	50 pcs.

Foot intermediate Switches + Push button

Type 5062 Foot intermediate Switch

2 (1) A, 250 V, 1-pole, on/off-switch, catch locking housing,
reversible strain relief suitable for cable 2 x 0.75 mm² + 3 x 0.75 mm²
2 connection terminals, screw terminals,
dimensions: Ø 67 mm / height 32 mm (incl. button)



<i>inter BÄR No.</i>	<i>Colour Housing/Button</i>	<i>Packing Unit</i>
5062-000.01	transparent/transparent	10 pcs.
5062-501.01	white/black	10 pcs.
5062-504.01	black/black	10 pcs.
5062-508.01	white/white	10 pcs.
5062-509.01	brown/beige	10 pcs.
5062-010.01	gold/gold	10 pcs.
5062-020.01	titan/black	10 pcs.

Type 8009 Foot Intermediate Switch

6 (2) A, 250 V, 1-pole, on/off-switch, catch locking housing,
screwed strain relief, 2 connecting terminals, screw terminals,
for cable 2 x 0.75 mm² + 3 x 0.75 mm²,
dimensions Ø 66 mm / height 35 mm (incl. button)
suitable for switching the secondary circuit of halogen lamps



<i>inter BÄR No.</i>	<i>Colour Housing/Button</i>	<i>Packing Unit</i>
8009-608.01	white/white	10 pcs.
8009-604.01	black/black	10 pcs.

Type 8009 Foot Intermediate **Serial Switch**

Serial Switch, 2 (1) A, 250 V, 1-pole, **connection 0/1/1+2/2/0**
catch locking housing, screwed strain relief, 2 connecting terminals, screw terminals,
for cable 2 x 0.75 mm² + 3 x 0.75 mm², **dimensions: Ø 66 mm / height 35 mm (with button)**

<i>inter BÄR No.</i>	<i>Colour Housing/Button</i>	<i>Packing Unit</i>
8009-011.01	white/black	10 pcs.
8009-012.01	black/black	10 pcs.

Type 8020 Push button

Push button, 2 (0.7) A, 250 V ~, 1polig, **normally open contact**, screwed housing
and strain relief, 2 connecting terminals, for cable 2 x 0.75 mm² + 3 x 0.75 mm²



<i>inter BÄR No.</i>	<i>Colour Housing/Button</i>	<i>Packing Unit</i>
8020-004.01	black/black	10 pcs.
8020-008.01	white/white	10 pcs.

Line-intermediate Switch

Type 5044 Line-intermediate Switch

2 (1) A, 250 V, **1-pole**, on/off-switch, screwed housing and strain relief, screw terminals, **reversible strain relief suitable for cable 2 x 0.75 mm² + 3 x 0.75 mm²**, 2 connecting terminals (connection terminal for neutral conductor), LWH 81x32x 29 mm



<i>inter BÄR No.</i>	<i>Colour Housing/Button</i>	<i>Packing Unit</i>
5044-000.01	transparent/transparent	20 pcs.
5044-001.01	white/black	20 pcs.
5044-004.01	black/black	20 pcs.
5044-008.01	white/white	20 pcs.
5044-009.01	brown/beige	20 pcs.
5044-010.01	gold/gold	20 pcs.
5044-020.01	titan/black	20 pcs.

Type 8007 Line-intermediate Switch

2 A, 250 V, **1-pole**, on/off-switch, screwed housing and strain relief, connection terminal for neutral conductor, screw terminals, for double insulated flat cable 2 x 0.75 mm², LWH 61x23x15 mm



<i>inter BÄR No.</i>	<i>Colour Housing/Rocker</i>	<i>Packing Unit</i>
8007-004.01	black/black	50 pcs.
8007-008.01	white/white	50 pcs.
8007-009.01	brown/brown	50 pcs.

Type 8075 Line-intermediate Switch

2 A, 250 V, **1-pole**, on/off-switch, screwed housing and strain relief, connection terminal for neutral conductor, screw terminals, for double insulated flat cable 2 x 0.75 mm², LWH 54.5x24.5 x15.5 mm



<i>inter BÄR No.</i>	<i>Colour Housing/Rocker</i>	<i>Packing Unit</i>
8075-004.01	black/black	50 pcs.
8075-044.01	black/red	50 pcs.
8075-008.01	white/white	50 pcs.

Type 5055 Line-intermediate Switch

3 (2) A, 250 V, 1-pole, on/off-switch, catch locking housing, for double insulated flat cable 2 x 0.75 mm², connection terminal for neutral conductor, strain relief through insulating screws, screw terminals, LWH 67x22x17 mm, **especially suitable for LED!!!**



<i>inter BÄR No.</i>	<i>Colour Housing/Rocker</i>	<i>Packing Unit</i>
5055-004.01	black/black	50 pcs.
5055-008.01	white/white	50 pcs.
5055-009.01	brown/brown	50 pcs.
5055-010.01	gold/gold	50 pcs.

Type 8006 Line-intermediate Switch

6 (4) A, 250 V, 1-pole, on/off-switch, screwed housing and strain relief, screw terminals, 2 connecting terminals, marking 0-I, for cable 2 x 0.75 mm² + 3 x 0.75 mm², LWH 76x26x23 mm, **suitable for switching the secondary circuit of halogen lamps**



inter BÄR No.	Colour Housing/Rocker	Packing Unit
8006-004.01	black/black	50 pcs.
8006-008.01	white/white	50 pcs.
8006-009.01	brown/brown	50 pcs.
8006-010.01	gold/brown	50 pcs.

Type 8011 Line intermediate Switch – Serial Switch

Serial switch, 2 A, 250 V, 1-pole, **serial connection 0/1/1+2/2/0**, 2 connecting terminals, screw terminals, for cable 2 x 0.75 mm² + 3 x 0.75 mm², housing with cable entry on both sides, LWH 105x37x37 mm



inter BÄR No.	Colour Housing/Button	Packing Unit
8011-004.01	black/black	10 pcs.

Type 8010 Line-intermediate Switch

10 (4) A, 250 V, **2-pole**, on/off-switch, screw terminals, screwed housing and strain relief, connection terminal for the protective conductor, marking 0-I, for cable 2 x 0.75 mm² + 3 x 0.75 mm², LWH 80x30x25 mm



inter BÄR No.	Colour Housing/Rocker	Version	Packing Unit
8010-004.01	black/red	non-illuminated	50 pcs.
8010-008.01	white/white	non-illuminated	50 pcs.
8010-044.01	black/black	non-illuminated	50 pcs.
8010-104.01	black/red	illuminated	50 pcs.
8010-108.01	white/red	illuminated	50 pcs.

Type 8093 Line-intermediate Switch

2 (0,7) A, 250 V, **2-pole**, on/off-switch, positive strain relief, **for double insulated flat cable 2 x 0.75 mm²**, screwed housing, with screwed terminals, marking 0-I, LWH 70x26x16 mm



inter BÄR No.	Colour Housing/Rocker	Packing Unit
8093-208.01	white/white	50 pcs.
8093-204.01	black/black	50 pcs.

Line-intermediate Switch IP44

Type 9002

16 (4) A, 250 V ac, **2-pole, on/off-switch, IP44, splash water protection**, for devices of protection class I + II, screwed strain relief, for round cable, screw terminals, with cable tension relief, temperature -40° up to +85° C, suitable for wire cross section up to 2.5 mm², **best for party lights, wires etc. for outdoor areas**, LWH 97x52x30 mm



inter BÄR No.	Colour	Version	Packing Unit
9002-004.01	black/red	illuminated, rocker printing 0	12 pcs.

Jalousie-intermediate Switch

Type 5050

10 A, 230 V ~, 1-pole, IP20, screw terminals (max. 2.5 mm²) for safe connection of rigid and flexible cables, 2 switching positions UP/DOWN and STOP in the middle position, for cable assembly as a setting/auxiliary switch for roller shutter or blind drivers, LWH switch without cable 95x38x32 mm



inter BÄR No.	Colour	Version	Packing Unit
5050-108.01	white	without cable	10 pcs.
5050-188.01	white	pre-assembled with 2m supply cable with protective contact angled plug, lead (motor cable) with test terminal 1.50 m	10 pcs.

Line-end Switch

Type 8016

10 A, 250 V, 1-pole, on/off-switch, screw terminals, screwed housing and strain relief, LWH 30x51x20 mm, rocker printing 0-I



inter BÄR No.	Colour Housing/Rocker	Packing Unit
8016-001.01	white/white	50 pcs.
8016-002.01	black/black	50 pcs.

Console Push-button for Installation

Type 5120

2 (1) A, 250 V, **1-pole, opener**, T 85 ° C, screw terminals,
for phono, windows and furniture, with strain relief,
 twin-hole fitting, hole distance 43 mm,
 hole size \varnothing 3.5 mm,

with snap action contact!!!



<i>inter BÄR No.</i>	<i>Colour</i>	<i>Version</i>	<i>Packing Unit</i>
5120-003.05	white	Commercial version with additional housing	40 pcs.
5120-004.05	black	Commercial version with additional housing	40 pcs.
5120-020.05	titan/black	Commercial version with additional housing	40 pcs.

**Attention! Please mind installation according to the VDE-regulations,
 e.g. screw it only onto insulating material!**



<i>inter BÄR No.</i>	<i>Colour</i>	<i>Version</i>	<i>Packing Unit</i>
5120-003.02	white	Industrial version without additional housing	100 pcs.
5120-004.02	black	Industrial version without additional housing	100 pcs.

Toggle Switch for Installation

Type 8400

6 (4) A, 250 V, 1-pole, central fitting M 12 x 0.75 mm,
 screwed on hexagon nut and knurled nut,
 thermoplastic toggle and housing,
 silver contacts, silver coated terminals,
 for devices of protection class II



<i>inter BÄR No.</i>	<i>Version</i>	<i>Packing Unit</i>
8400-005.02	on/off-switch, solder terminals	50 pcs.
8400-007.02	on/off-switch, faston	50 pcs.
8400-013.02	change over switch, faston	50 pcs.

Rocker Switch for Installation

1-pole

Type 3652 Rocker Switch

16 (8) A, 250 V, **1-pole, on/off-switch**, T 125 ° C,
snap-in mounting cut out 11 x 30 mm,
faston 6.3 mm



inter BÄR No.	Colour Housing/Rocker	Version	Packing Unit
3652-005.22	white/white	non-illuminated, marking 0-I	50 pcs.
3652-006.22	black/black	non-illuminated, marking 0-I	50 pcs.
3652-807.22	white/red	illuminated , without marking	50 pcs.
3652-813.22	black/red	illuminated , without marking	50 pcs.
3652-849.22	black/yellow	illuminated , without marking	50 pcs.
3652-850.22	black/green	illuminated , without marking	50 pcs.

Type 3652 Rocker Switch, Change Over Switch

16 (8) A, 250 V, **1-pole, change over switch** without middle position,
T 125 ° C, **snap in mounting cut out 11 x 30 mm**,
faston 6.3 mm x 0.8 mm



inter BÄR- Nr.	Colour Housing/Rocker	Version	Packing Unit
3652-100.22	black/black	non-illuminated, without marking	50 pcs.

Type 3630 Rocker Switch

6.5 A, 250 V, **1-pole, on/off-switch**, T 85 ° C,
snap in mounting cut out 20 mm Ø,
faston 4.8 mm



inter BÄR No.	Colour Housing/Rocker	Version	Packing Unit
3630-005.22	white/white	non-illuminated, marking 0-I	50 pcs.
3630-006.22	black/black	10 (3) A , non-illuminated, marking 0-I	50 pcs.
3630-807.22	white/red	illuminated , without marking	50 pcs.
3630-813.22	black/red	illuminated , without marking	50 pcs.
3630-849.22	black/yellow	illuminated , without marking	50 pcs.
3630-850.22	black/green	illuminated , without marking	50 pcs.

Type 3630 Rocker Switch, Change-over Switch

6,5 A, 250 V, **1-pole, change-over switch with middle position** „0“, T 85° C,
snap in mounting cut out 20 mm Ø,
faston 4.8 mm



inter BÄR No.	Colour Housing/Rocker	Version	Packing Unit
3630-101.22	black/black	non-illuminated, marking I-0-II horizontal	50 pcs.

Type 3631 Rocker Switch

10 (4) A, 250 V, 1-pole, on/off-switch, T 125°,
fitting dimensions 19 x 13 mm, faston 4.8 x 0.8 mm



inter BÄR No.	Colour Housing/Rocker	Version	Packing Unit
3631-813.22	black/red	illuminated, marking 0-I	50 pcs.
3631-850.22	black/green	illuminated, without marking	50 pcs.

Type 3631 Rocker Switch, Change-over Switch

10 (4) A, 250 V, 1-pole, **change-over switch**, T 125°,
fitting dimensions 19 x 13 mm, faston 4.8 x 0.8 mm



inter BÄR No.	Colour Housing/Rocker	Version	Packing Unit
3631-100.22	black/black	non-illuminated, without marking	50 pcs.

Type 3632 Rocker Switch, Change-over Switch

10 (2) A, 250 V, 1-pole, T 125°, **change-over switch with middle position „OFF“**,
fitting dimensions 19 x 13 mm, faston 4.8 x 0.8 mm



inter BÄR No.	Colour Housing/Rocker	Version	Packing Unit
3632-100.22	black/black	non-illuminated, marking I-0-II	50 pcs.

Type 3633 Momentary Switch

6 (2) A, 250 V, 1-pole, momentary switch, **normally open contact**, T 125°,
fitting dimensions 19 x 13 mm, faston 4.8 x 0.8 mm



inter BÄR No.	Colour Housing/Rocker	Version	Packing Unit
3633-006.22	black/black	non-illuminated, without marking	50 pcs.

Type 3634 Rocker Switch

10 (4) A, 250 V, **1-pole**, on/off-switch, T 125°,
fitting dimensions 19 x 13 mm, faston 4.8 x 0.8 mm,



inter BÄR No.	Colour Housing/Rocker	Version	Packing Unit
3634-006.22	black/black	non-illuminated, marking 0-I	50 pcs.

Type 8004 Rocker Switch

10 (2) A, 250 V ac, **1-pole**, on/off-switch, **screw terminals**,
snap-in mounting cut-out 19.4 x 13 mm,
 suitable for switching the secondary circuit of halogen lamps.



inter BÄR No.	Colour Housing/Rocker	Version	Packing Unit
8004-005.01	black/red	non-illuminated, marking 0-I	50 pcs.

Type 8014 Rocker Switch

6 (2) A, 250 V ~ ac, **1-pole**, on/off-switch SK II, T 85° C, **fitting dimensions 22 mm Ø**, mounting thread M 22, screw terminals, with plastic hexagon nut, suitable for switching the secondary circuit of halogen lamps



<i>inter BÄR No.</i>	<i>Colour</i>	<i>Packing Unit</i>
8014-002.01	white	50 pcs.
8014-004.01	black	50 pcs.

Type 8014 Rocker Switch

6 (2) A, 250 V, **1-pole**, on/off-switch SK II, T 120° C **fitting dimensions 21.7 mm Ø**, socket contact M 3, screw terminals, with touch protection, suitable for switching the secondary circuit of halogen lamps



<i>inter BÄR No.</i>	<i>Colour</i>	<i>Packing Unit</i>
8014-104.01	black	50 pcs.
8014-108.01	white	50 pcs.

Rocker Switch for Installation

1-pole

IP65

Type 3630 Rocker Switch

10 (4) A, 250 V, **1-pole**, on/off-switch, T 85° C, **IP65**, **fitting dimensions 20.2 mm Ø**, faston 4.8 mm, marking 0-I



with gold-plated contacts

<i>inter BÄR No.</i>	<i>Colour Housing/Rocker</i>	<i>Version</i>	<i>Packing Unit</i>
3630-656.21	black/black	non-illuminated	100 pcs.

Accessories for Rocker Switches

Type 0022 PVC-Covers and Frames

for supplementary fitting as splash water and dust protection for **1-pole rocker switches**, LWH 35x18x11 mm



<i>inter BÄR No.</i>	<i>Colour Cover/Frame</i>	<i>Packing Unit</i>
0022-017.0067	clear/black	50 pcs.

for supplementary fitting as splash water and dust protection for **2-pole rocker switches**, LWH 35x29x11 mm, except for item no. 3652-851.22 + 3652-852.22



<i>inter BÄR No.</i>	<i>Colour Cover/Frame</i>	<i>Packing Unit</i>
0022-018.0067	clear/black	50 pcs.

Rocker Switch for Installation

2-pole

Type 3628 Rocker Switch

10 (4) A, 2-pole, on/off-switch,
fitting dimensions 22 x 19 mm, T 105°,
 faston 4.8 x 0.8 mm,



inter BÄR No.	Colour Housing/Rocker	Version	Packing Unit
3628-201.22	black/black	non-illuminated, marking 0-I	50 pcs.
3628-250.22	black/green	illuminated , marking 0-I	50 pcs.
3628-251.22	black/yellow	illuminated , marking 0-I	50 pcs.
3628-295.22	black/red	illuminated , marking 0-I	50 pcs.

Type 3634 Rocker Switch

12 A, 250 V, 2-pole, on/off-switch, T 125°,
fitting dimensions 19 x 13 mm, faston 4.8 x 0.8 mm,



inter BÄR No.	Colour Housing/Rocker	Version	Packing Unit
3634-201.22	black/black	non-illuminated, marking 0-I	50 pcs.
3634-250.22	black/green	illuminated , marking 0-I	50 pcs.

Type 3636 Rocker Switch

16 (8) A, 250 V, 2-pole, on/off-switch, T 125°,
fitting dimensions 22 x 30 mm, 4 x screw terminals,



inter BÄR No.	Colour Housing/Rocker	Version	Packing Unit
3636-250.22	black/green	illuminated , marking 0-I	50 pcs.

Type 3652 Rocker Switch

16 (8) A, 250 V, 2-pole, on/off-switch, T 125° C,
snap-in mounting cut out 22 x 30 mm,
 faston 6.3 mm



inter BÄR No.	Colour Housing/Rocker	Version	Packing Unit
3652-200.22	white/white	non-illuminated, marking 0-I	50 pcs.
3652-201.22	black/black	non-illuminated, marking 0-I	50 pcs.
3652-215.22	white/red	illuminated , marking 0-I	50 pcs.
3652-250.22	black/green	illuminated , marking 0-I	50 pcs.
3652-251.22	black/yellow	illuminated , marking 0-I	50 pcs.
3652-295.22	black/red	illuminated , marking 0-I	50 pcs.

Type 3652 Rocker Switch, Change-over Switch

16 (8) A, 250 V, 2-pole, **change-over switch** without middle position, T 125° C,
snap-in mounting cut out 22 x 30 mm,
 faston 6.3 mm



inter BÄR No.	Colour Housing/Rocker	Version	Packing Unit
3652-300.22	black/black	non-illuminated, without marking	50 pcs.

Type 3652 Rocker Switch

16 (8) A, 250 V, 2-pole, on/off-switch, T 125° C,
snap-in mounting cut out 22 x 30 mm,
 faston 6.3 mm,
with protection against accidental contact



inter BÄR No.	Colour Housing/Rocker	Version	Packing Unit
3652-851.22	black/green	illuminated, marking 0-I	50 pcs.
3652-852.22	black/black	non-illuminated, marking 0-I	50 pcs.

Type 8014 Rocker Switch

16(4) A, on/off-switch, 2-pole, T 85°, **with transparent waterproof cap,**
snap-in mounting cut out 22 x 30 mm,
 faston 2 x 6.3 mm, screw terminal 2 x M 3



inter BÄR No.	Colour Housing/Rocker	Version	Packing Unit
8014-110.01	red/red	illuminated, rocker imprinting 0	50 pcs.

Type 3635 – Push Button Switch

16 (4) A, 250 V, 2-pole, on/off-switch, T 125° C,
fitting dimensions 19 x 13 mm,
 faston 4.8 x 0.8 mm



inter BÄR No.	Colour Housing/Button	Version	Packing Unit
3635-201.22	black/black	non-illuminated, without marking	50 pcs.
3635-250.22	black/green	illuminated, without marking	50 pcs.

Type 0023 Blind Element

for rocker switches 2-pole,
fitting dimensions 22 x 30 mm



inter BÄR No.	Colour Housing/Rocker	Packing unit
0023-018.0067	schwarz	50 pcs.

Rocker Switch for Insertion **2 x 1-pole**

Type 3652

16 (8) A, 250 V, 2 x 1-pole, on/off-switch, T 125° C,
snap-in mounting cut out 22 x 30 mm,
 faston 6.3 mm



inter BÄR No.	Colour Housing/Rocker	Version	Packing Unit
3652-416.22	black /red	illuminated, without marking	25 pcs.

Rocker Switch for Installation

2-polig

IP65

Type 3627 Rocker Switch

16 (8) A, 250 V, 2-pole, **on/off-switch**, T 120° C,
IP65, snap-in mounting cut out 22 x 30 mm,
 faston 6.3 mm



inter BÄR No.	Colour Housing/Rocker	Version	Packing Unit
3627-201.22	black/black	non-illuminated, marking 0-I	50 pcs.
3627-250.22	black/green	illuminated , marking 0-I	50 pcs.
3627-251.22	black/yellow	illuminated , marking 0-I	50 pcs.
3627-255.22	black/blue	illuminated , marking 0-I	50 pcs.
3627-295.22	black/red	illuminated , marking 0-I	50 pcs.

Type 3627 Rocker Switch, Change-over Switch

16 (8) A, 250 V, 2-pole, **change-over switch with middle position**, T 120° C,
IP65, snap-in mounting cut out 22 x 30 mm,
 faston 6.3 mm



inter BÄR No.	Colour Housing/Rocker	Version	Packing Unit
3627-302.22	black/black	non-illuminated, marking I-0-II	50 pcs.

Type 3658 Push Button Switch

16 (4) A, 250 V, 2-pole, on/off-switch, T 125° C,
 with rubber seal, **dust- and waterproof according to IP 65,**
fitting dimensions 19 x 13 mm, faston 6.3 mm



inter BÄR No.	Colour Housing/Taste	Version	Packing Unit
3658-250.22	black/green	illuminated , without marking	50 pcs.
3658-295.22	black/red	illuminated , without marking	50 pcs.

Type 3659 Push Button Switch

16 (6) A, 250 V, 2-pole, on/off-switch, T 125° C,
 with rubber seal, faston 6.3 mm,
fitting dimensions Ø 25 mm, dust- and waterproof according to IP 65



inter BÄR No.	Colour	Version	Packing Unit
3659-250.22	black/green	illuminated , without marking	25 pcs.
3659-295.22	black/red	illuminated , without marking	25 pcs.

Line-intermediate Dimmer for LV-Halogen, HV-Halogen + Incandescent Lamps

230 V

Type 8013 Line-intermediate Dimmer

230 V, from **20 up to 500 Watt**, for hand and foot operation,
LV halogen lamps (with conventional transformers),
HV halogen lamps and incandescent lamps,
LWH 107x60x30 mm



inter BÄR No.	Colour	Packaging	Packing Unit
8013-000.01	transparent	single box to promote sales	1 pc.
8013-004.01	black	single box to promote sales	1 pc.
8013-008.01	white	single box to promote sales	1 pc.
8013-010.01	gold	single box to promote sales	1 pc.

Type 8114 Rotary Dimmer

250 V ~, 50 Hz, from **20 up to 200 W/VA**, hand operation,
suitable for LV halogen lamps (with conventional transformers),
HV halogen lamps and incandescent lamps, LWH ca. 96x41x29 mm,
rotary OFF function, with protective conductor connection,
with fuse drawer (accessible from the outside),
suitable for easy replacement of fuse, fuse T1 AH/250 V



inter BÄR No.	Colour/Rotary Knob	Packaging	Packing Unit
8114-000.01	transparent light grey	single box to promote sales	1 pc.
8114-004.01	black light grey	single box to promote sales	1 pc.
8114-008.01	white light grey	single box to promote sales	1 pc.
8114-010.01	gold black	single box to promote sales	1 pc.

Line-intermediate Dimmer

Type 8013

230 V, from **20 up to 500 Watt**, for hand and foot operation,
with 2 m cable and appliance adapter plug with increased
contact protection, suitable for LV halogen lamps
(with conventional transformers), HV halogen lamps and
incandescent lamps, LWH 107x60x30 mm



inter BÄR No.	Colour	Packaging	Packing Unit
8013-204.01	black	single box to promote sales	1 pc.
8013-208.01	white	single box to promote sales	1 pc.
8013-210.01	gold	single box to promote sales	1 pc.

LED-Furniture Built-in Dimmer

12 V

Type 8152

10-15 V DC, 50 Hz, max. 50 W, PWM (pulse width modulation), rotation dimmer with pressure two-way switch, with real on/off switch, connection with screw terminals, overtemperature protection via thermal fuse (device will not continue to operate after release)

suitable for dimmable 12 V LED lamps, 12 V incandescent and halogen lamps LED-modules and stripes with limiting resistors

Covers from Berker and other manufactures fit on this dimmer!!!

LWH 54x54x33 mm



<i>inter BÄR No.</i>	<i>Version</i>	<i>Packaging</i>	<i>Packing Unit</i>
8152-000.01	Dimmer without button + frame	single box	5 pcs.
8152-004.01	Dimmer + button + frame black	single box	5 pcs.
8152-008.01	Dimmer + button + frame white	single box	5 pcs.

LED-Furniture Built-in Universal Dimmer

230 V

Type 8149 LED-Furniture Built-in Universal Dimmer

Flush-mounted rotary dimmer,

230 V / 50 Hz, LED 3-50 W 5-100 W/VA,

leading edge/trailing edge freely selectable,

suitable for dimmable LED lamps and LED driver, incandescent and halogen lamps with pressure

two-way switch, noiseless operation, microprocessor controlled, optimization possibilities for flicker free dimming of LED lamps.

Covers from Berker and other manufactures fit on this dimmer!!!

LWH 54x 54x33 mm



<i>inter BÄR No.</i>	<i>Version</i>	<i>Packaging</i>	<i>Packing Unit</i>
8149-000.01	Dimmer without button + frame	single box	5 pcs.
8149-004.01	Dimmer + button + frame black	single box	5 pcs.
8149-008.01	Dimmer + button + frame white	single box	5 pcs.

LED-Dimmer

230 V

Type 8115 Line-intermediate Dimmer

230 V ~, 50 Hz, 7 -110 W/VA (LED 3-35 W), leading edge dimmer, slide switch for hand and foot operation, **on/off-switch separately**,

LWH 130x 60x35 mm, protective conductor connection possible, **suitable for dimmable LED lamps, low voltage halogen lamps (with conventional transformers), high voltage halogen lamps and incandescent lamps.**

Applicable as intermediate and end device due to different connection opportunities.



<i>inter BÄR No.</i>	<i>Colour</i>	<i>Packaging</i>	<i>Packing Unit</i>
8115-000.01	transparent	single box	1 pc.
8115-004.01	black	single box	1 pc.
8115-008.01	white	single box	1 pc.

Type 8116 LED Line-intermediate Dimmer

230 V ~, 50 Hz, 7 -110 W/VA (LED 3-35 W), leading edge dimmer, only for hand operation, fuse M 1 AH / 250 V, on/off-switch separately, max. ambient temperature 40° C, LWH 105x45x25 mm, ON/OFF via slide switch, brightness stepless adjustable by roller, **suitable for dimmable LED lamps and dimmable energy saving lamps low voltage halogen lamps (with conventional transformers), high voltage halogen lamps and incandescent lamps.**



<i>inter BÄR No.</i>	<i>Colour</i>	<i>Packaging</i>	<i>Packing Unit</i>
8116-004.01	black	single box	1 pc.
8116-008.01	white	single box	1 pc.

Type 8118 LED-Line Rotary Dimmer

230 V ~ (+/- 10 %), 50 Hz, electronic and transistor operated, leading edge dimmer without inductor **5-100 W/VA (LED 335 W), Ø 33 mm x 110 mm (Ø x L) suitable for dimmable LED lamps, high voltage halogen lamps and incandescent lamps,** no standby consumption because of a real on/off-switch **ON/OFF/DIM by twisting the housing,** active current limiting and reversible safety- temperature switch, operates utterly quiet, jitter free dim of LED lamps in all brightness ranges due to min. and max. tuning possibilities with integrated micro switch, free positioning because of symmetric geometry, max. cord diameter 8 mm Ø and textile cable



<i>inter BÄR No.</i>	<i>Colour</i>	<i>Packaging</i>	<i>Packing Unit</i>
8118-000.61	transparent	individually in a folding blister pack	1 pc.
8118-004.61	black	individually in a folding blister pack	1 pc.
8118-008.61	white	individually in a folding blister pack	1 pc.

Type 8119 LED-Line Touch Dimmer

230 V ~ (+/- 10 %), 50 Hz, 5-100 W/VA, LED 3-35 W, Fully electronic and transistor operated leading edge dimmer without inductor, touch dimmer with soft start and memory function, LWH 81x32x23 mm, **suitable for dimmable LED lamps, high voltage halogen lamps and incandescent lamps,** ON/OFF/DIM via push button \mathcal{E} , active current limiting and reversible safety temperature switch, operates low noise, jitter free dim of LED lamps in all brightness ranges due to min. and max. tuning possibilities, max. cord diameter 7.5 mm



<i>inter BÄR No.</i>	<i>Colour</i>	<i>Packaging</i>	<i>Packing Unit</i>
8119-000.61	transparent	individually in a folding blister pack	1 pc.
8119-004.61	black	individually in a folding blister pack	1 pc.
8119-008.61	white	individually in a folding blister pack	1 pc.

Type 8124 Universal LED Push Button Dimmer round

230 V ~ (+/- 10 %), 50 Hz, **5-150 W/VA**, LED 3-50 W,
 110 V ~ (+/- 10 %), 60 Hz, 5-110 W/VA, LED 3-50 W,
Electronic operated leading edge/trailing edge dimmer
(freely selectable), operates utterly quiet,
 Ø 75x26 mm (Ø H),

suitable for dimmable LED lamps, filament LED lamps,
high voltage halogen lamps, incandescent lamps and LED stripes

ON/OFF/Dim by push-button,
 Soft-start and memory-function with orientation light,
 jitter free dim due to min. and max. tuning possibilities,
 for connection for textile cable and cable max. 7.5 mm Ø



inter BÄR No.	Colour	Packaging	Packing Unit
8124-000.01	transparent	single box	1 pcs.
8124-004.01	black	single box	1 pcs.
8124-008.01	white	single box	1 pcs.

Type 8122 LED-Dimmer for external actuation

230 V ~ (+/- 10 %), 50 Hz, **4-160 W/VA (LED 3-55 W)**,
Leading edge dimmer with soft-start and
memory-function,
 external push-button with low voltage fail-safe,
 LWH 106x60x30 mm,

suitable for dimmable LED lamps,
high voltage halogen lamps and
incandescent lamps,

electronic overload/short-circuit protection,
 on/off/dim by external push-button,
 max. cord diameter Ø 8 mm



inter BÄR No.	Colour	Version	Packaging	Packing Unit
8122-004.01	black	without cable	single box	1 pcs.

Type 8136 Universal LED Line Intermediate Dimmer

100-240 V, LED 2-60 W, 50 Hz/60 Hz,
Freely selectable trailing edge or leading edge,

with memory-function and soft start,
suitable for 2-60 W dimmable LED lamps,
5-60 W high voltage halogen lamps, low voltage halogen
Lamps with electronic transformer and incandescent lamps

LWH ca. 100 x 30 x 21 mm, for hand operation,
 dimming via rotary knob,
 On/Off by pressing the rotary knob,
 minimum bright setting by user,
 simple connection from outside



inter BÄR No.	Colour	Packaging	Packing Unit
8136-004.01	black	single box	10 pcs.

Cable Box-Set **IP44**

Type 9002

230 V, 16 A, operating temperature -40° C to 85° C,
screw terminals, LWH 97x52x33 mm,
for outdoor area IP44

consisting of:

- 1 pc. cablebox
- 2 pcs. tension reliefs for round cable
- 1 pc. stopper

**Can be used as repair set for lawn mower cable
e.g. cable break**



inter BÄR No.	Colour	Packaging	Packing Unit
9002-104.02	black	set in polybag	10 Sets

Cable Connection Box

Type 8010-908

2 strain reliefs, 1 terminal block,
screwed housing,
dimension: LWH 80x30x25 mm



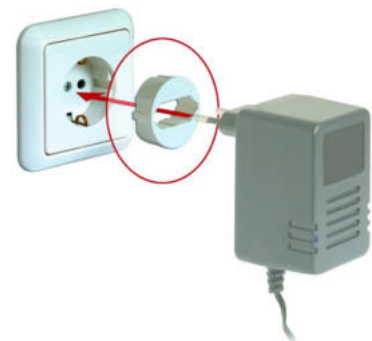
inter BÄR No.	Colour	Packing Unit
8010-908.01	white	50 pcs.

Pinfix

Type 8821

**The special solution for heavy flat
plug power supplies**

throughout Europe (except for Switzerland)
**ideal stabilisation of the flat smartphone
charging plugs and dust protection**



application range

telephones + mobile phones
battery operated hand-held
vacuum cleaners
battery operated torch lights



inter BÄR No.	Colour	Version	Packing Unit
8821-004.01	black	one piece on blister card	20 cards
8821-008.01	white	one piece on blister card	20 cards

Safety Equipment

Type 6310 **Teddy** - Socket Guard

for insertion into earth-contact-sockets,
can only be removed from the socket using the
special key provided, Made in Germany



<i>inter BÄR No.</i>	<i>Colour</i>	<i>Packaging</i>	<i>Packing Unit</i>
6310-001.01	white	5 pcs. in a bag	10 bags
6310-002.01	black	5 pcs. in a bag	10 bags
6310-003.01	brown	5 pcs. in a bag	10 bags
6310-001.10	white	in bulk	50 pcs.
6310-002.10	black	in bulk	50 pcs.
6310-003.10	brown	in bulk	50 pcs.

Type 6320 **Teddy** - Automatic

Socket guard to paste into
earth-contact-sockets, Made in Germany



<i>inter BÄR No.</i>	<i>Colour</i>	<i>Packaging</i>	<i>Packing Unit</i>
6320-001.01	white	5 pcs. on card	20 cards
6320-002.01	black	5 pcs. on card	20 cards
6320-003.01	brown	5 pcs. on card	20 cards
6320-001.10	white	in bulk	250 pcs.
6320-002.10	black	in bulk	250 pcs.
6320-003.10	brown	in bulk	250 pcs.

Type 2002 Protective Cap

for insertion into earth-contact-sockets and
also suitable for the Belgian French socket system,
Made in Germany



<i>inter BÄR No.</i>	<i>Colour</i>	<i>Packaging</i>	<i>Packing Unit</i>
2002-004.02	alpine white	10 pcs. in a bag	10 bags

Type 6350 **Teddy** - Child Safety

**food safe and easy to install,
3-way use as**

- door lock
- drawer lock
- drawer stopper



<i>inter BÄR No.</i>	<i>Colour</i>	<i>Packaging</i>	<i>Packing Unit</i>
6350-001.01	white	3 pcs. in a folded blister pack	20 folded blister packs

Lockable Outdoor Socket IP44

Type 9015

230 V, 16 A, **which can be closed when connected**,
IP44 with vertical wall mounting,
only for wall mounting,
LWH 185x85x80 mm,
socket with extended touch protection

The ideal power supply solution for

- Gardens
- Laundries
- Basements, Cellars
- Garages, Carports etc...

Suitable for

- Washing machine and dryer
- Christmas illuminations
- Lawn mowers
- Fairy lights
- Electric outdoor devices, i.e. electric grills

Protected against splash water and rain by
a transparent lid of polycarbonate with a
circumferential foamed sealing

**Includes a hanger for a padlock which protects
against theft of power!!!**



<i>inter BÄR No.</i>	<i>Version</i>	<i>Packing Unit</i>
9015-001.01	for straight earthing contact plugs, without padlock and plug	1 pc.
9015-002.01	for angular plugs, without padlock and plug	1 pc.

Double USB-A/C Charging Socket **Plug & Play**

Type 9016

ready for use with insulating socket,
with black cable 2 x 1.0 mm²,
length 2 m with Euro plug,

Dimensions: LWH 60 x 60 x 49 mm
 Installation depth: 32 mm
 Installation diameter: 50 mm
 Protection class: IP20 only for dry rooms
 Total load: max. 20 W
 USB-Lader input: 100 - 240 V AC
 USB-Lader output: 5 - 12 V DC
1 x USB A Quick Charge 3.0
1 x USB C Power Delivery 3.0



<i>inter BÄR No.</i>	<i>Colour</i>	<i>Packaging</i>	<i>Packing Unit</i>
9016-014.01	black	single box	30 pcs.
9016-018.01	white	single box	30 pcs.

USB-A/C Socket Combination 2-fold **Plug & Play**

Type 9016

horizontal, Socket outlet with earthing contact and
USB-A/C-charger, socket with increased contact protection,
ready for use with insulating socket, black cable 3 x 1.5 mm²,
length 2 m with angle plug earthing contact Belgium/France,

Dimension: LWH 113 x 60 x 49 mm,
 small Installation depth: 41 mm
 Installation diameter: 50 mm
 Protection class: IP20, only for dry rooms
 Total power: max. 20 W
 Socket: max. load 16 A, 3.5 KW
 USB charger input: 100 - 240 V AC
 USB charger output: 5 - 12 V DC
1 x USB A Quick Charge 3.0
1 x USB C Power Delivery 3.0



<i>inter BÄR No.</i>	<i>Colour</i>	<i>Packaging</i>	<i>Packing Unit</i>
9016-114.01	black	single box	30 pcs.
9016-118.01	white	single box	30 pcs.

Both products are ideal for vertical installation in fronts of for example:

- **bedside tables**
- **desks**
- **furniture**
- **kitchen**

Not suitable for flush-mounted wall installation, installation on worktops and us in damp rooms and outdoor areas.
The place of installation must be chosen according to the instructions of installation.

Overload Protection Socket 2-fold and 3-fold

Type 8110

for connecting two or three devices with high energy consumption, e.g. **washing machine, dryer, instantaneous water heater etc.**

- optical function display
- robust plastic housing
- 90° rotated sockets with extended touch protection
- end caps with fastening option
- with cable 1.5 m H05VV-F 3G1.5 mm², + CEE7/7 protective contact plug
- 1 protective contact socket with continuous current
- 1 or 2 protective contact sockets depending on power consumption (>3500 W)



<i>inter BÄR No.</i>	<i>Colour</i>	<i>Version</i>	<i>Packing Unit</i>
8110-001.01	white	2-fold, LWH 270x75x45 mm	1 pc.
8110-002.01	white	3-fold, LWH 334x75x45 mm	1 pc.

Socket Strip 3-fold **IP44**

Type 9006

with cover, 16 A, AC 250 V, made of rubber elastomer, **splash water protected IP44**, screw terminals, with suspension eyelet and 4 fixing points, for cables up to H07RN-F 3 x 2.5 mm²



<i>inter BÄR No.</i>	<i>Colour</i>	<i>Packing Unit</i>
9006-004.01	black	1 pc.

Silicone Housing for Installation MAXI

Type 1000 for HV halogen and LED light sources with GU10 lamp socket

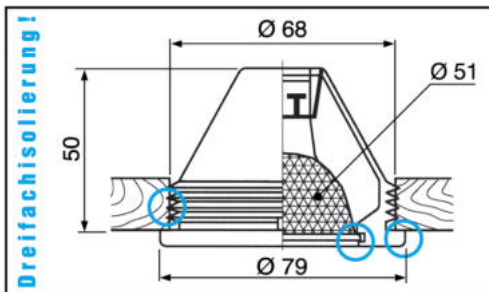
- Silicone housing absolutely rust-free
- UV and ozone resistant, non-aging
- easy and quick assembling and disassembling
- excellent **weather and sea climate resistant**
- **heat and cold resistant**
- also suitable for booth construction and shopfitting (decor adjustment)

Only suitable for halogen lamps which emit the heat forward!
Do not use COOL BEAM bulbs!



For GU10 HV halogen bulbs Ø 51mm, 230V, up to 35 Watt or GU10 LED light sources up to 5 Watt

Mounting diameter: 68 mm (Standard size also for flush-mounted boxes)
 Installation depth: ca. 85 mm with holder
 Outer dimensions: 79 mm Ø, height ca. 55 mm (without holder)



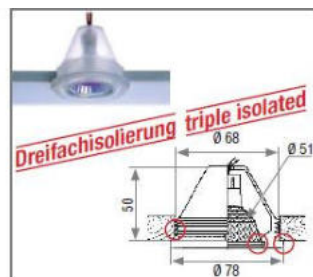
incl. loose attached GU10 lamp holder with strain relief and installation housing, with about 200 mm insulated connection cable, without light source

inter BÄR No.	Colour	Packaging	Packing Unit
1000-501.01	transparent	single packaging	1 pc.
1000-505.01	anthracite similar RAL 7016	single packaging	1 pc.
1000-508.01	white	single packaging	1 pc.

Type 1000 for LV Halogen and LED light sources with GU5.3 lamp holder

For LV halogen bulbs GU5.3 Ø 51mm, 12 V, up to 35 Watt and for LED light sources Ø 51 mm, MR16 GU5.3

Mounting diameter: 68 mm (Standard size also for flush-mounted boxes)
 Installation depth: 50 mm
 Outer dimensions: 78 mm



incl. loose attached GU5.3 lamp holder, without light source

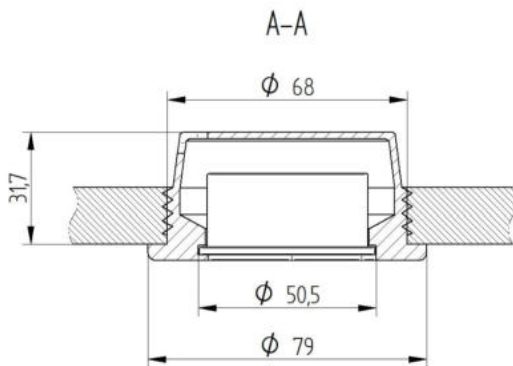
inter BÄR No.	Colour	Packaging	Packing Unit
1000-001.01	transparent	sales packaging	1 pc.
1000-008.01	white	sales packaging	1 pc.

Silicone Housing MAXI flat design

Type 1000 - for LED Modules

Advantages:

- suitable for standard installation Ø 68 mm
- for standard LED modules 230 V, Ø 50 mm
- small installation depth
- Silicone housing absolutely rust-free
- UV and ozone resistant, non-aging
- easy and quick assembling and disassembling
- weather and sea climate resistant
- Heat and cold resistant



Example LED-Modules

Delivery without light source

<i>inter BÄR No.</i>	<i>Colour</i>	<i>Packaging</i>	<i>Packing Unit</i>
1000-605.01	anthracite similar to RAL 7016	single box	10 pcs.
1000-608.01	white	single box	10 pcs.

Silicon Protection Cover for Halogen Spotlights and LED Spotlights (also swivelling)

Type 1005

for light sources max. 35 Watt,

easy, subsequent installation, protects against overheating, closed at the back, therefore active fire protection,

ceiling cut-out 68 mm or 75 mm,

Inside diameter approx. 63 mm or approx 70 mm,

Installation depth approx. 71 mm, light fixture installation height approx. 68 mm,

2 side flaps, length 50 mm, width 26 mm for spring buckles,

Edge 5 mm, thickness 0.8-1.0 mm, „Do not use COOL BEAM light sources“



Delivery without lamp holder, without light source

<i>inter BÄR No.</i>	<i>Colour</i>	<i>Version</i>	<i>Packaging</i>	<i>Packing Unit</i>
1005-068.10	transparent	Ø 68 mm	10 pcs. in a bag	10 pcs. (1 bag)
1005-075.10	transparent	Ø 75 mm	10 pcs. in a bag	10 pcs. (1 bag)

Adapter protective contact/Switzerland

Type 8603

Adapter with protective contact from Swiss socket type 13 to socket with universal contact, with 10 A micro fuse, rated voltage 250 V~, rated current 10 A, Design SEV 6534-2, Contacts CuZn 37, CuZn 39, Length 79 mm, Ø 45 mm



<i>inter BÄR No.</i>	<i>Colour</i>	<i>Packing Unit</i>
8603-008.00	white	100 pcs.

Charging solutions for cars, boats and caravans

Type 7100

Bendable **USB-C** Charging plug **PD/QC 60 Watt, 12-24 V DC**

Perfect for fast and mobile charging of the latest generation of tablets, notebooks, and smartphones.

Features an integrated voltage converter and step-up transformer: With an input voltage of 12 volts, compatible devices can be charged with an output voltage of 5-20 volts and up to 60 watts of power, Supports fast charging protocols such as Power Delivery, Quick Charge, PPS, and others, Connecting via universal plug, fitting for cigarette lighter/power sockets (Ø 21 mm) and standard sockets (Ø 12 mm)

Input voltage: 8-30 Volt DC

Output: 1 x Port C 5-20 V DC, max. 3 A/60 Watt

Approval: E1

Protection: overload, overtemperature, overvoltage, short circuit



<i>inter BÄR No.</i>	<i>Version</i>	<i>Packing Unit</i>
7100-034.01	with blue LED that shows voltage supply	30 pieces

Type 7100

Power Double **USB-C/A Socket PD/QC 12 - 24 V DC** with integrated power, voltage converter, supports fast charging methods as Power Delivery (Port C) and Quick Charge (Port A + C), **output 5 V, 9 V, 12 V and with 24 V input voltage also 15 V and 20 V**, USB-C Port up to 3 A (max. 2 x 30 Watt), USB-A Port up to 2.2 A (24 Watt)

Approval: E1

Install dimensions: Ø 28 mm +/- 0.1 mm

Fastening: with hexagon nut

Protection: reverse polarity, overload, overtemperature, overvoltage, short circuit



<i>inter BÄR No.</i>	<i>Packaging</i>	<i>Packing Unit</i>
7100-108.61	in a folding blister-pack	20 pcs.

Twilight-Switch DS-A

Type 8812

230 V AC, 50/60 Hz, +/- 10 %,
Load max. 100 VA at Tu = -20° C up to +35° C,
 LWH 34x 22.5 x16 mm (without sensor)

Suitable for ohmic, inductive and capacitive loads, for energy-saving lamps also

Output current max. 430 mA,
 Encapsulated housing,
 Switching on threshold approx. 5 - 15 LUX,
 Switching off threshold approx. 30 - 40 LUX

Light pulse of less than 5 seconds are faded out.
 This prevents switching on and off the light with brief beam of light (for example driving past vehicles with headlights).



<i>inter BÄR No.</i>	<i>Colour</i>	<i>Version</i>	<i>Packaging</i>	<i>Packing Unit</i>
8812-005.01	white	internal sensor	1 pcs. on blister card	20 blister cards
8812-006.01	black	internal sensor	1 pcs. on blister card	20 blister cards
8812-007.62	white	with external sensor, length 250 mm	1 pcs. on blister card	12 blister cards

Outdoor Twilight Switch with Timer IP44

Type 8813

Input: 220-250 V AC, 50 H,
 Output: 16 A up to max. 3680 W ohmic load
 8 A up to max. 1840 W inductive load
IP44, LWH 97x 65x43 mm,

The twilight switch is optionally adjustable for 1-9 hours, or only for twilight and reliably turn the garden or Christmas lights and pond and swimming pool pumps on and off. It switches on at dusk and switches off again after a preselected number of hours or at dawn. Simple operation, Plug and Play by protection contact plug and coupling with suspension hook



Switching range: up to 10 Lux on, over 15 Lux off
 Operating temperature: + 40 ° C bis - 40 ° C
 Connection: approx.. 15 + 18 cm H07RN-F, protection contact plug (also for Belgian French socket system), coupling

<i>inter BÄR No.</i>	<i>Colour</i>	<i>Packaging</i>	<i>Packing Unit</i>
8813-004.01	black	single box	1 pc.

Powersocket Thermo analog **Plug & Play**

Type 8141

230 V AC, 50 Hz, max. 16 A-3680 W (9 A-2070 W)

Temperature controlled socket with protective contact plug and socket

- Thermostat integrated
- Adjustable temperature 5°C - 30° C
- Operating temperature 5° C - 70° C
- Heating and cooling mode
- Manual adjustable temperature control and change over switch hot/cold
- LED display for operating statuses
- Dimensions 62 x 125 x 80 mm



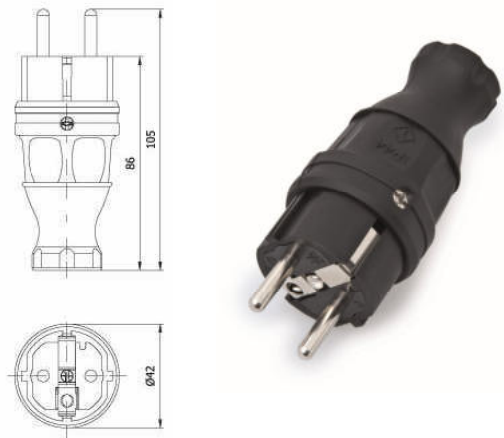
<i>inter BÄR No.</i>	<i>Colour</i>	<i>Version</i>	<i>Packing Unit</i>
8141-008.01	white	with internal sensor	1 pc.
8141-108.01	white	with external sensor, cable length 3 m (Ø 3.5 mm)	1 pc.

Rubber Protective Contact Plug **IP44**

Type 9003

Plug with thermoplastic insert,
also for the Belgian French socket system

16 A, AC 250 V, made of rubber elastomer,
splash-proof IP44, snap lock,
screw terminals,
for cable bis H07RN-F 3 x 2,5 mm²



<i>inter BÄR No.</i>	<i>Colour</i>	<i>Packing Unit</i>
9003-004.01	black	30 pcs.

Electric Mobility

Type 9014 Car charging socket for electric - and plug-in hybrid vehicles

16 A, 250 V ~,
with improved contacts, with extended touch protection,
for safe charging with Mod1 or Mod2,
screw terminals, impact resistance IK08,
**It is recommended to have the installation of a
3 x 2.5 mm² additionally fused cable carried out
and checked by a qualified electrician**



Protective contact socket
flush-mounted

Protective contact socket
surface-mounted

<i>inter BÄR No.</i>	<i>Colour</i>	<i>Version</i>	<i>Packing Unit</i>
9014-001.01	Light grey RAL 7035 sky blue RAL 5015	surface-mounted, IP65 cable suspension included	10 pcs.
9014-002.01	light grey RAL 7035	flush-mounted IP44	10 pcs.

Type 9620 + 9632 Car charging cable

Mode 3, type 2, **11 kW or 22 kW**,
for 3-phase charging of electric and hybrid vehicles
with type 2 plug and flexible cable

Made in Germany



1st side type 2 plug QC/P 203, 2nd side type 2 coupling QC/C 203
Cable type H07BZ5-F 5G2.5+1x0.5

<i>inter BÄR No.</i>	<i>Cable lenght</i>	<i>Version</i>	<i>Packaging</i>	<i>Packing Unit</i>
9620-320.01	2 m	20 A	in transport bag	3 pcs.
9620-360.01	6 m	20 A	in transport bag	3 pcs.
9620-380.01	8 m	20 A	in transport bag	3 pcs.

1st side Type 2 Stecker QC/P 303 2nd side Type 2 coupling QC/C 303
Cable H07BZ5-F 5G6.0+1x0.5

<i>inter BÄR No.</i>	<i>Cable lenght</i>	<i>Version</i>	<i>Packaging</i>	<i>Packing Unit</i>
9632-320.01	2 m	32 A	in transport bag	3 pcs.
9632-360.01	6 m	32 A	in transport bag	3 pcs.
9632-380.01	8 m	32 A	in transport bag	3 pcs.

For detailed information, visit www.interbaer.de!

**Mobile charging cable NRGkick Optimal Set, Type 9432, 32 A, 22 kW, WLAN, Bluetooth, with plug attachments and transport bag
Mobile charging anywhere, safe, fast and reliable!!!**

- in a practical set consisting of NRGkick, plug attachment and transport bag
- optionally with 5 m or 7.5 m cable



NRGkick FIX -Select Type 9332, for fixed connection with lockable wall socket 230 V/16 A and NRGkick FIX-MAX Type 9333 for fixed connection with lockable wall socket 230 V/32 A, 22 kW, WLAN, Bluetooth, for every electric car (Type 2)

- in a practical set consisting of NRGkick without plug attachment, wall socket and interlocked protective cover
- optionally with 5 m or 7.5 m cable



Detailed information at www.interbaer.de

General Information

- Technical modifications reserved!
- Connection to the 230 V mains supply must only be carried out by a qualified electrician!
- Detailed information, data sheets and operating instructions can be found on the Internet at www.interbaer.de
- MOQ = 1 packing unit

inter BÄR GmbH + Co. KG
Hälverstraße 43
58579 Schalksmühle
GERMANY
phone +49 2355 893-0
FAX +49 2355 893-190
info@interbaer.de
www.interbaer.de

